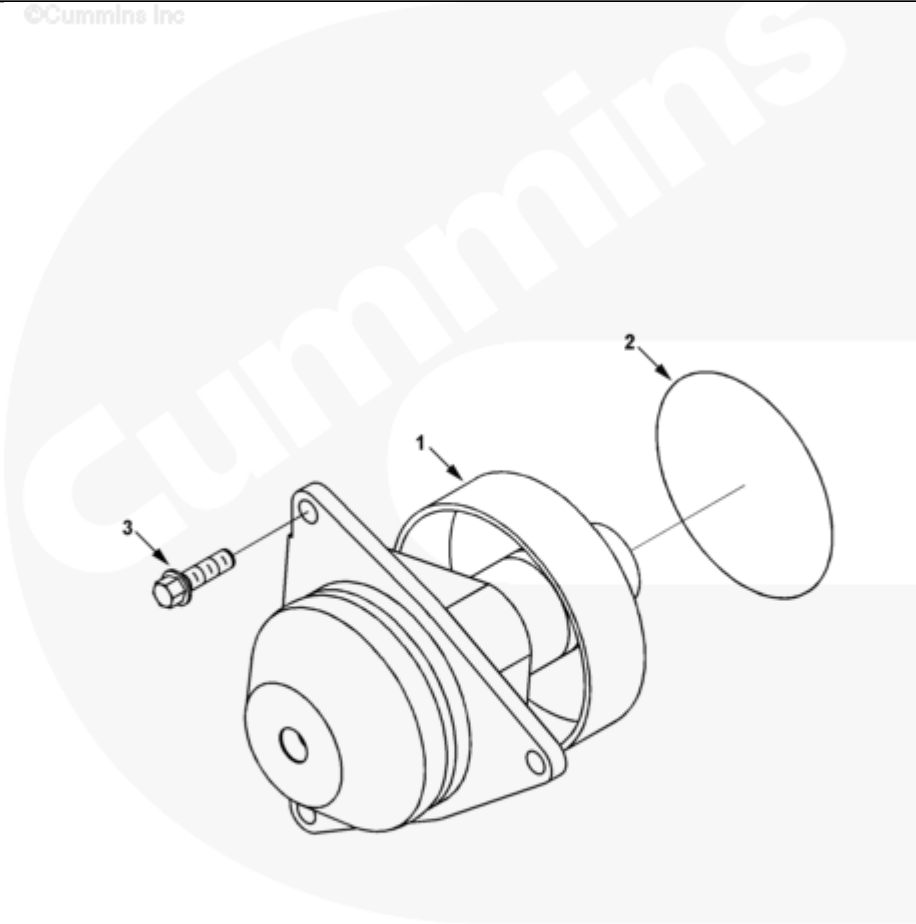




Parts Catalog - Option Detail

| Electronic Parts Catalog - Option Detail | | | | |
|--|--|---------|-----------|-----------|
| Option | Group | Graphic | Film Card | Date |
| WP9029 | 08.01 | wp952gi | Z | 14-NOV-00 |
| Engines | 6C8.3, C GAS PLUS CM556, G8.3, G8.3 CM558, GTA8.3 CM558, ISC CM2150, ISC CM554, ISC CM850, ISC8.3 CM2250, ISC8.3 G CM2180 C101, ISL CM2150, ISL CM554, ISL CM850, ISL G CM2180, ISL8.9 CM2150 L110, ISL8.9 CM2880 L112, ISL9 CM2150 SN, ISL9 CM2250, ISL9 CM2350 L101, ISL9 CM2350 L111, ISLE4 CM850, L GAS PLUS CM556, L8.9, L8.9 L121, L8.9G CMOH2.0 L125B, L9 CM2350 L116B, L9 CM2350 L119B, L9 CM2350 L120C, L9 CM2350 L123B, L9.3 L105, L9.5 L117, L9N CM2380 L124B, QSC8.3 CM2250, QSC8.3 CM2880 C102, QSC8.3 CM554, QSC8.3 CM850(CM2850), QSL9 CM2250, QSL9 CM2250 L115, QSL9 CM2350 L102, QSL9 CM2350 L107, QSL9 CM2350 L118, QSL9 CM2350 L122, QSL9 CM554, QSL9 CM850(CM2850), QSL9 G CM558, QSL9 M CM2250 L106, QSL9.3 CM2880 L113 | | | |



wp952gi

[SMALL](#) | [MEDIUM](#) | [LARGE](#)

| Cart | Ref No | Part Number | Part Description | Required | Remarks |
|------------------------------|--------|-------------------------|-------------------------------|----------|------------------------------|
| View My Cart | | | | | |
| | | WP9029 | Water Pump | | |
| | | | | | Pulley Type: Standard |
| | | | | | Engine Family: C Series |
| | | | | | Pulley Diameter (mm): 88.00 |
| | | | | | Engine Design Phase: Current |
| | | | | | Product |
| | | | | | Unique Characteristics: |
| | | | | | Increased bearing capacity |
| | | | | | Restricted Application: Fire |
| | | | | | Pump Marine 1.9:1 |
| | | | | | Drive Ratio |
| | | | | | Long Nose with SiC/C Seal |
| | | | | | Revised Weep Chamber Vent |
| | | | | | Arrangement. |
| <input type="checkbox"/> | | 3800975 | Water Pump Kit | 1 | |
| <input type="checkbox"/> | 1 | 3285325 | Water Pump | 1 | |
| <input type="checkbox"/> | 2 | 3902089 | O-Ring Seal | 1 | |
| <input type="checkbox"/> | 3 | 3934054 | Hexagon Flange Head Cap Screw | 3 | |